

RENAULT KARDIAN



the change that changes everything

With its new design Renault Kardian is a powerful SUV: new front grille, LED light signature and bitone body color. Inside, 9 driver assistance systems enhance your driving experience, while quality materials ensure your comfort for every trip.



**The turbo engine 1.5 dCi 102 cv
delivers powerful performance.**

**turbo engine
1.5 dCi 102 cv**

**9 advanced
driving
assistance
systems**

**electric
parking
brake**

**8" multimedia
screen**

**wireless
smartphone
replication**

**multi-sense
drive mode
and ambient
lighting**

menu interactif

01. design

02. driving experience

03. advanced technologies

**04. advanced driving
assistance systems**

05. customization

pdf to download



equipment and motorizations



accessories



dynamic look

Renault Kardian combines modern and dynamic lines with assertive SUV design. Its bitone body color gives it a touch of muscular and upscale look.



With its 16-inch alloy wheels⁽¹⁾, new emblem framed with black crystals on its glossy diamond grille and fully LED-equipped headlights, Renault Kardian embodies the perfect fusion of elegance and sportivness.



Exclusive modular roof bars switch from longitudinal to transversal to match your cargo and your lifestyle.



(1) depending on version

[configure and order →](#)

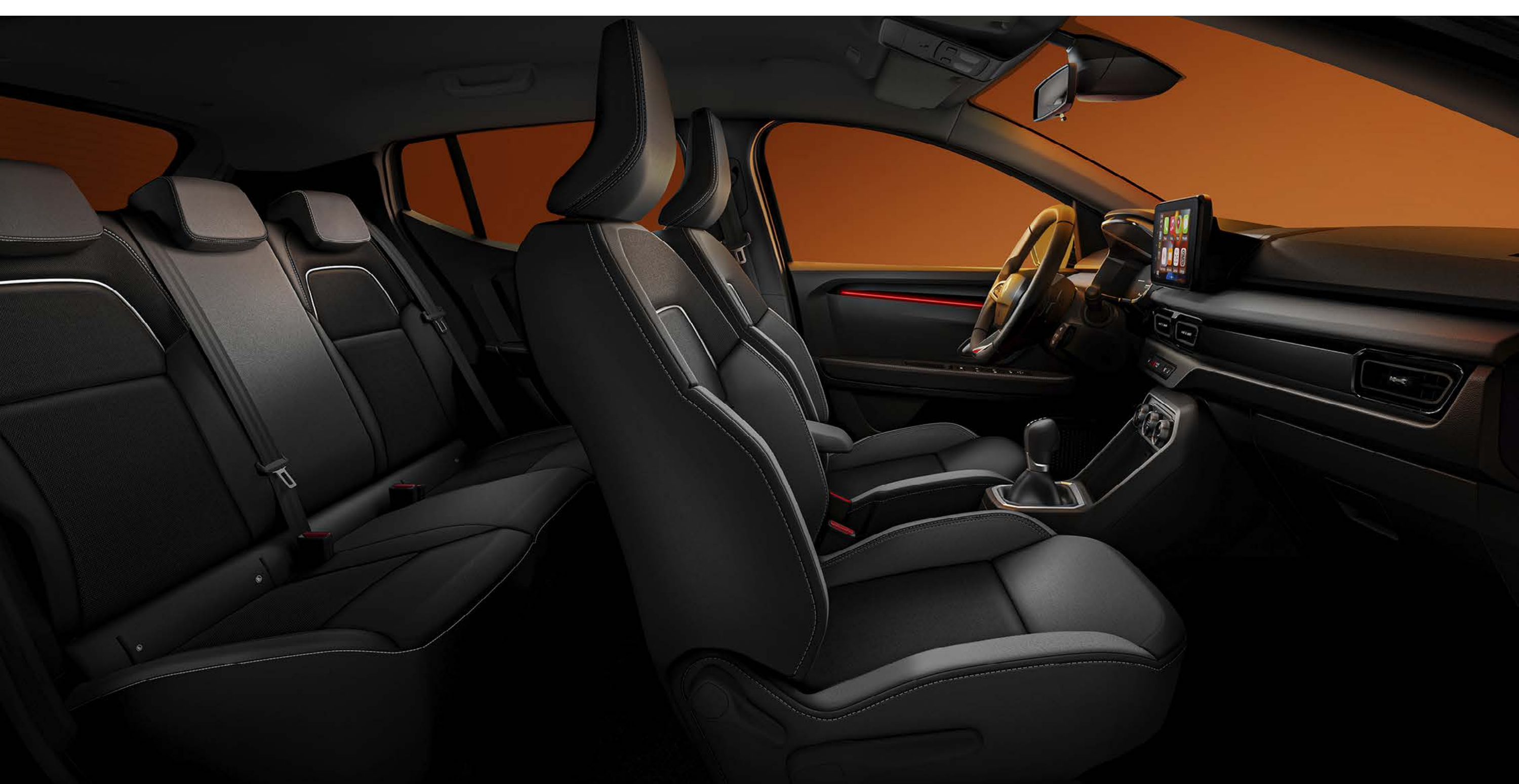


feel the difference

The spacious interior with ergonomic seats ensures your comfort during your journeys.



The spacious and comfortable interior is highlighted with 8 colour ambient lighting, allowing to create the desired atmosphere. With its practical armrest, 398-liter trunk volume and 8 liters of storage space, Renault Kardian stands out in its category.



[configure and order →](#)



driven to perform

The 102 cv turbocharged four-cylinder engine offers the versatility expected of a compact, agile and powerful suv. Personalize your driving experience with the multi-sense system and its 3 modes: sport, eco and my sense.



Take advantage of the multifunction steering wheel: cruise control, speed limiter and steering wheel paddles for fast, precise gear changes.



The convenient electronic parking brake makes starting off easier than ever.



[configure and order →](#)



onboard technology

From the 8" multimedia screen with wireless smartphone replication to the 7" embedded dashboard and keyless entry, technology is at the heart of Renault Kardian.



The 7" digital instrument cluster keeps you informed about your vehicle, your driving and more.



Enjoy the convenience of front and rear USB charging ports for all your electronic devices.



[configure and order →](#)

WARNING!
Bien vers le configurateur à intégrer par le pays

04. advanced driving assistance systems

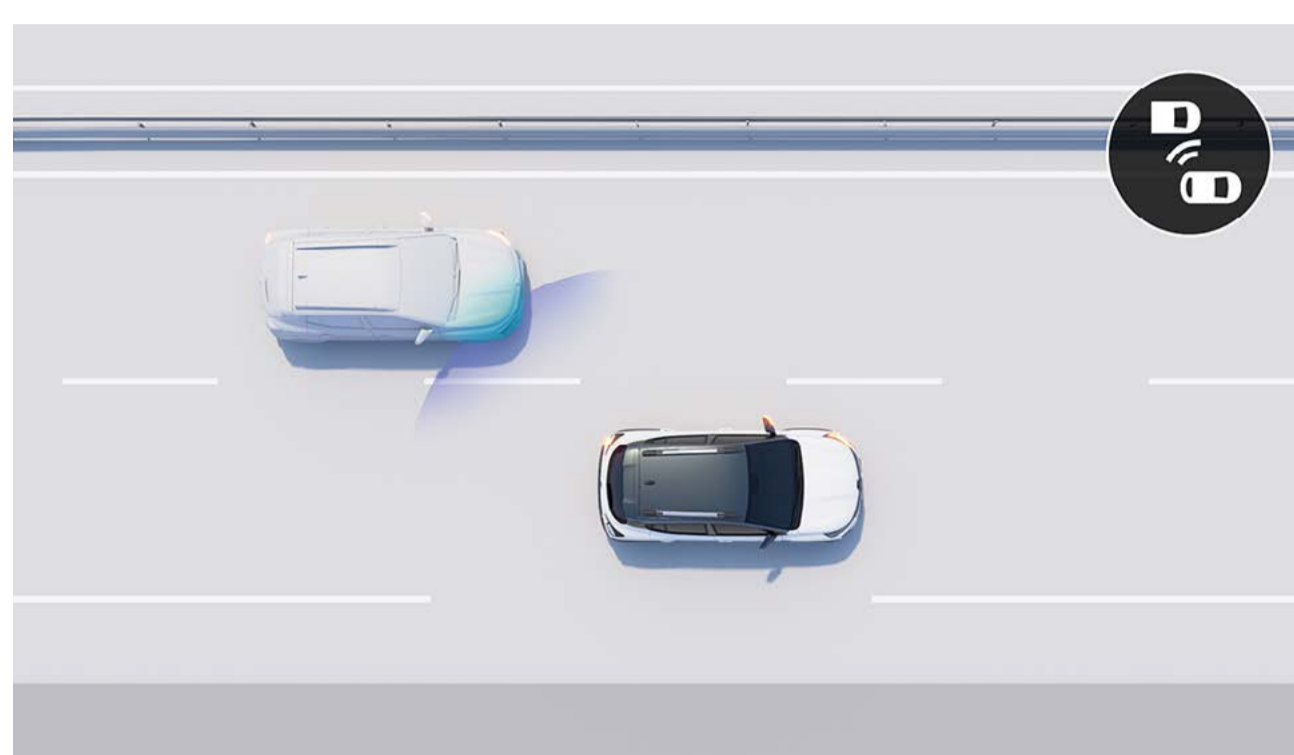


9 advanced driving assistance systems



multiview camera

Get a specific view for easy manoeuvring. Renault Kardian is fitted with 4 cameras by giving you a view of everything around your vehicle.



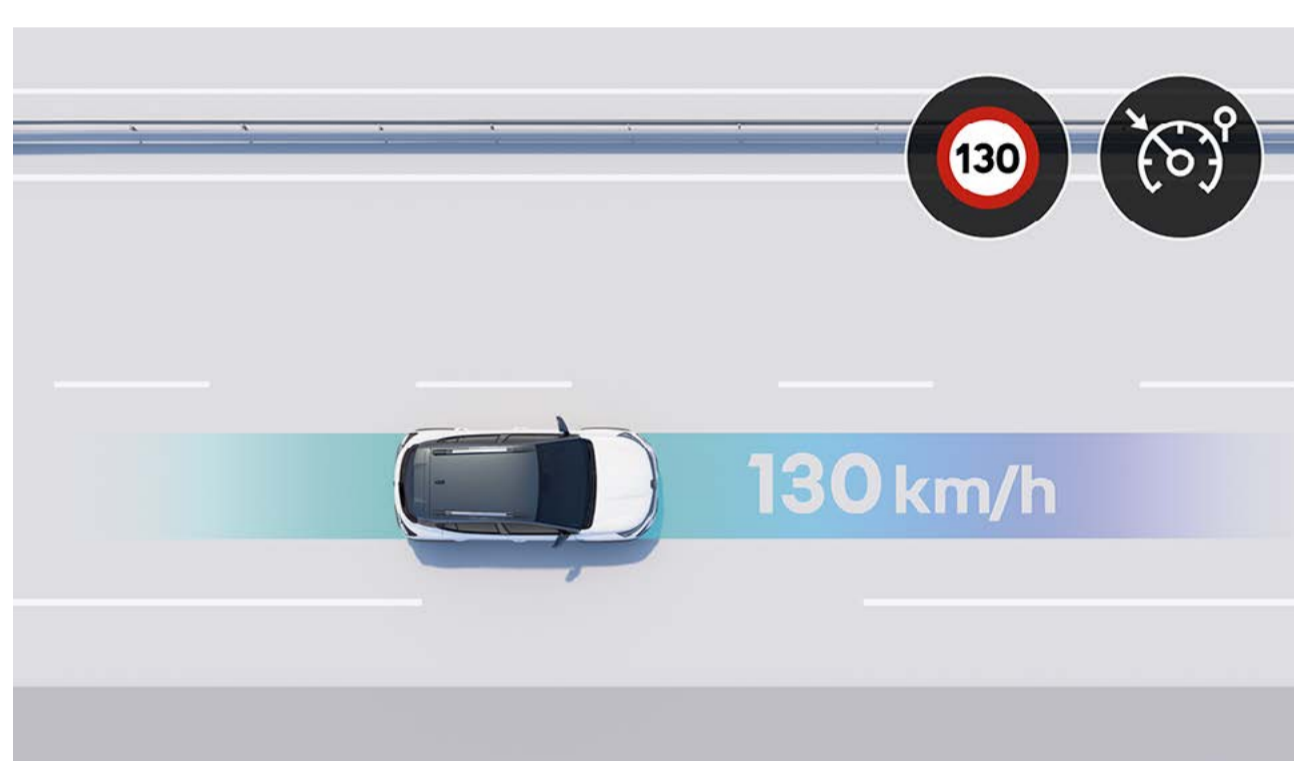
blind spot warning

Enabled at speeds over 15 km/h, this system uses warning lights to alert you to the presence of vehicles that are not visible in your field of vision.



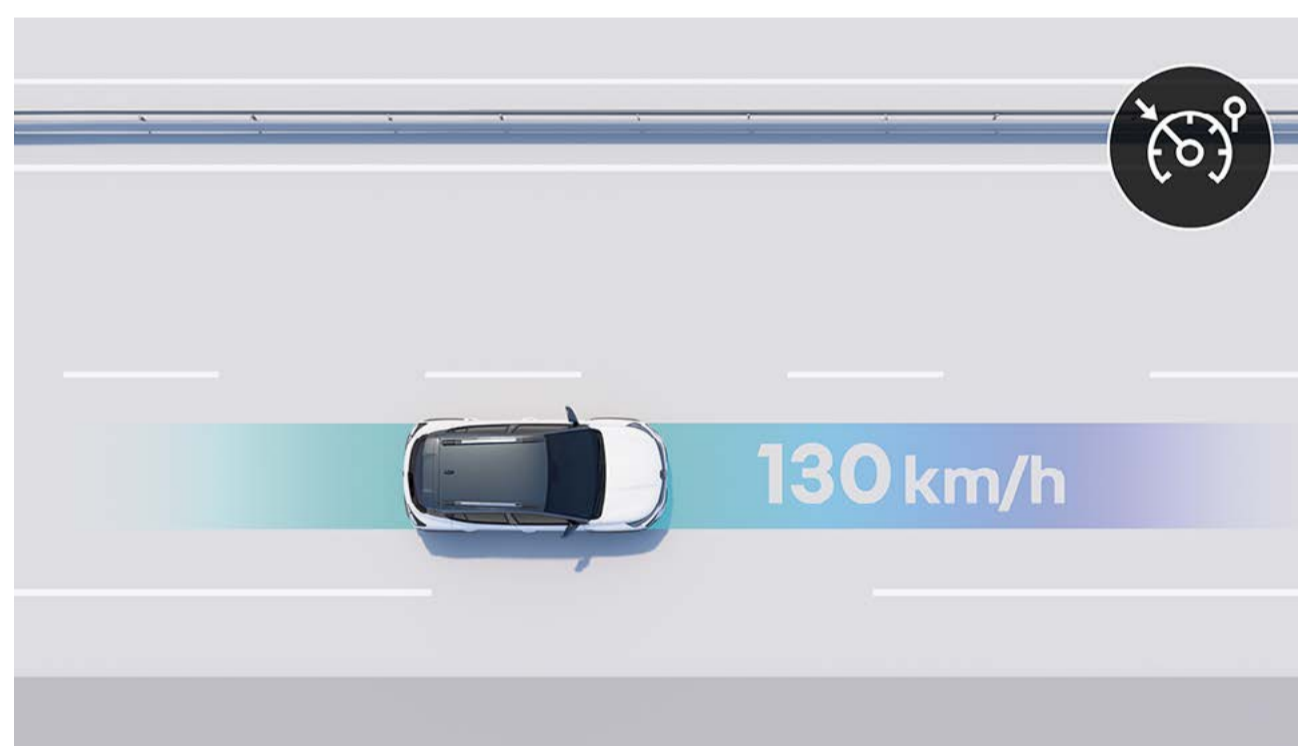
hill start assist

Maintains brake pressure for two seconds, preventing rollback when you move away on a steep slope.



cruise control

The cruise control system automatically maintains a set speed, enhancing driving comfort and reducing effort on long journeys.



speed limiter

The speed limiter allows you to set a maximum speed.



automatic lighting

Lights turn on and off by themselves depending on light conditions, ensuring optimal visibility and enhancing safety without requiring driver intervention.

driving assistance

- automatic lighting
- cruise control
- hill start assist
- speed limiter

security assistance

- blind spot warning

parking assistance

- front ultrasonic parking alert
- multiview camera
- rear ultrasonic parking alert
- rear view camera

configure and order →



05. customization

colours



nacre black



glacier white



urban gray



terracotta brown



barents green



schiste gray



iron blue

photos not contractually binding

configure and order →

WARNING!
lien vers le
configurateur
à intégrer par
le pays

05. customization

interior trims



evolution

- automatic lighting
- 8" multimedia screen with wireless smartphone replication
- armrest
- full LED head lamps
- rear parking sensor and rearview camera



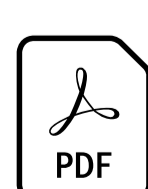
techno (evolution +)

- grained coated textile steering wheel
- 7" digital cluster
- 4 airbags
- rear view camera
- keyless entry and start



iconic (techno +)

- electric parking brake
- blind spot warning
- front parking sensor
- multi-sense and ambient lighting
- multiview camera



**download the PDF (X Mo)
versions and equipment**



05. customization

upholstery



**mixed upholstery textile/
black fabric with white
double stitchings/grey
quilted fabric**



**mixed upholstery textile/
black fabric with white
double stitchings/marl
blue fabric/light grey
piping**



**mixed upholstery textile/
black fabric/black and
grey refined textile/light
grey piping**

wheels



**16-inch inspiration
two-tone wheel covers**



**16-inch movement black
alloy wheels**



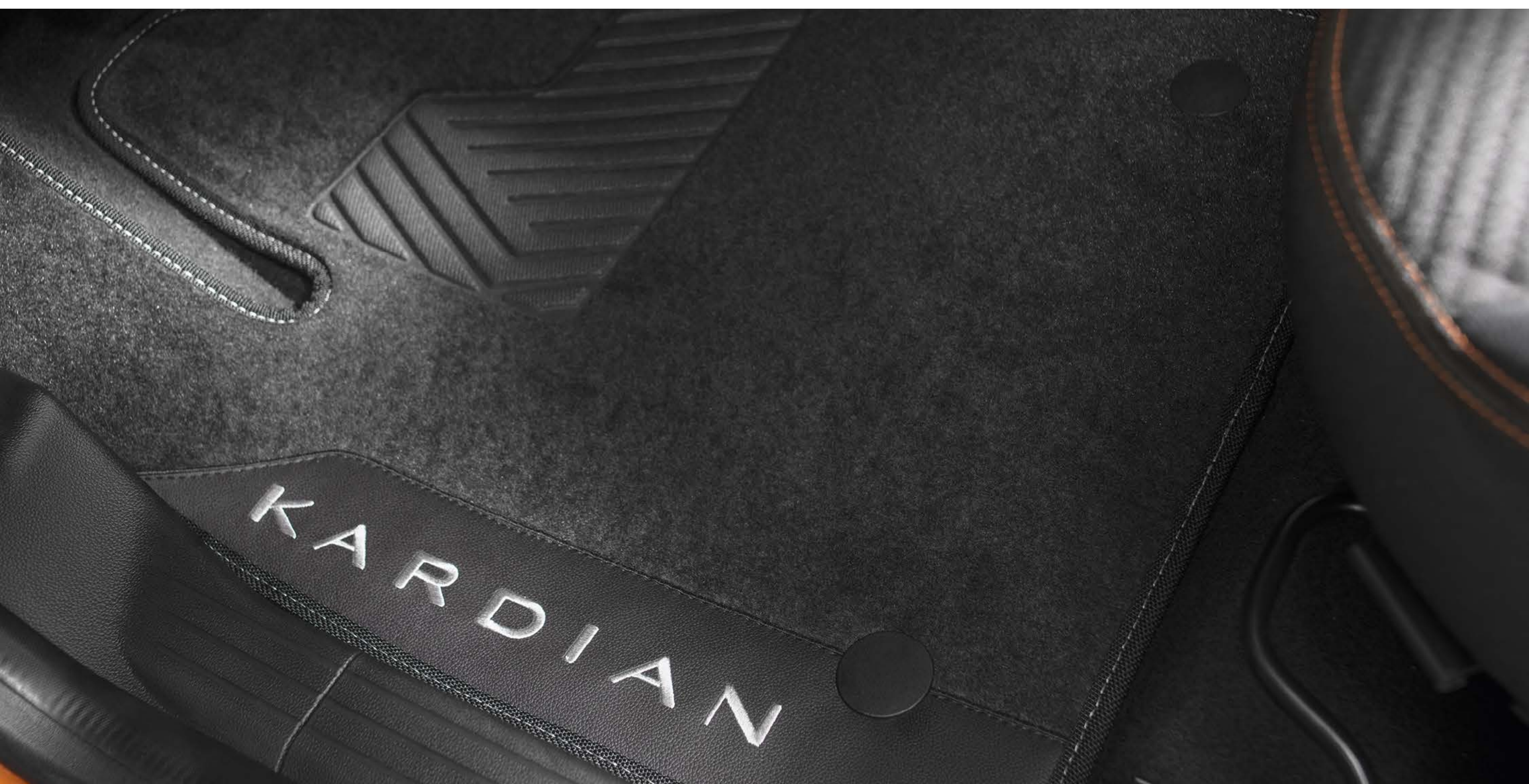
**16-inch movement
diamond cut alloy wheels**

configure and order →



05. customization

accessories



carpet floor mats

Made with high-quality materials, the mats bring more comfort to driver and passengers while adding style and protection to the car.



trunk protection

With a unique design and made with high-quality materials, it provides more protection to your car's trunk. It has raised edges to retain small liquid residues.



armrest

Increases comfort during driving and provides more storage space, keeping the vehicle's interior organized with all belongings within reach.



door protection

Protects the car's sides and, matching the vehicle's color, enhances the Renault KARDIAN's design.



alarm

Adds security and reliability to the vehicle. It reads the original control system and alerts against intrusions through doors and glass breaks, along with programmable ultrasound. To offer even more practicality and security, with the kit comes with a wristband that based on RFID technology or through the cell phone's Bluetooth is possible to activate the alarm.

photos not contractually binding



**download the pdf (6 Mo)
of the accessories brochure**



configure and order →



05. customization

engine

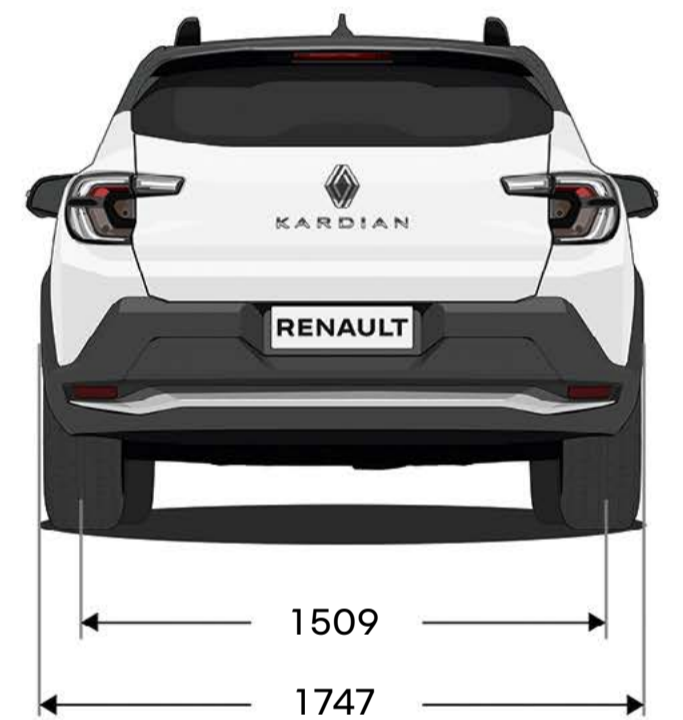
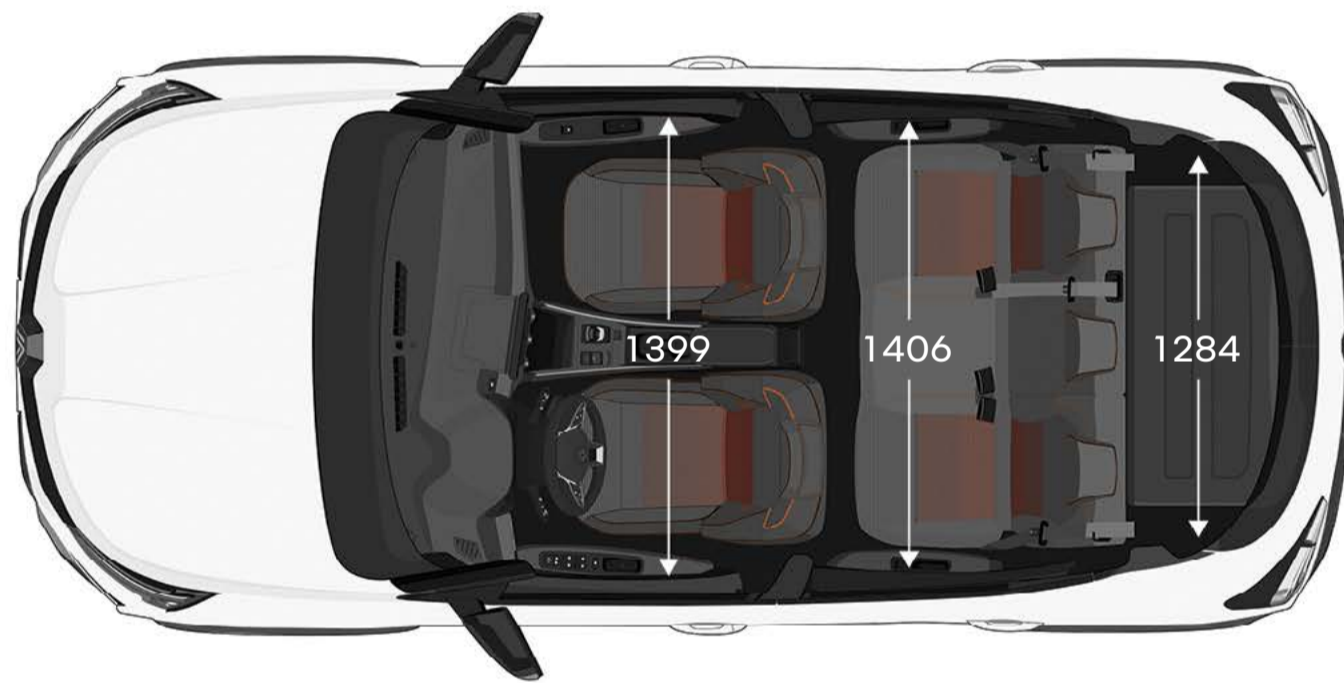
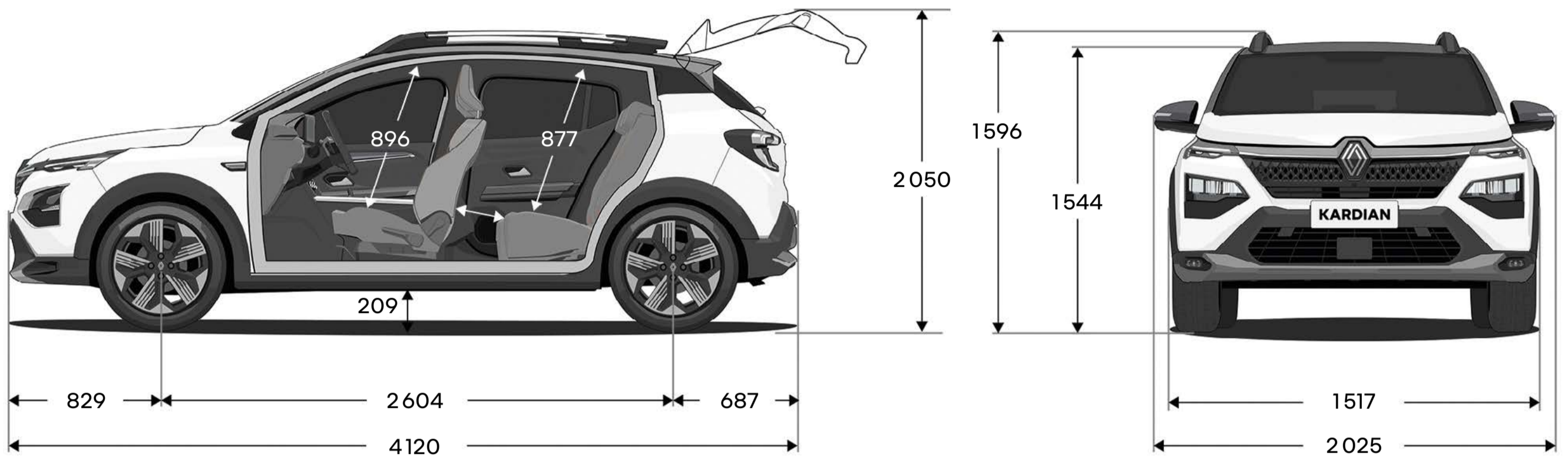
essence 1.0 TCe 100 ch	diesel 1.5 dCi 102 ch
type of fuel	
gasoline	diesel
maximum power kW CEE (cv) at engine speed (rpm)	
74 (100) @ 5,000	75 (102) @ 3,750
maximum torque N.m CEE (m.kg) at engine speed (rpm)	
160 @ 2,000-3,750	220 @ 1,500-2,750
gearbox type	
continuous variable transmission	manual transmission 5 speeds
performance	
maximum speed (km/h)	
169	175
0 - 100 km/h (s)	
12.5	12.2
recovery: 80-120 km/h (s) in 4th gear	
11.2	10.6



**download the PDF (X Mo)
engines**



dimensions and volumes



dimensions in mm

configure and order →

WARNING!
lien vers le configurateur à intégrer par le pays

the human first program is a comprehensive safety program developed by Renault in collaboration with researchers, experts and fire-fighters.

because road safety is the business of all road users - be they pedestrians, cyclists or motorists - the human first program by Renault undertakes to:

- 1. prevent accidents by developing safety equipment and advanced driving and safety assistance systems**
up to 32 advanced driving assistance systems / more than 60 safety systems, up to 7 airbags, child seats (Isofix), Renault's Fixe4sure solution / more than 2,000 safety-related patents filed since 1970
- 2. manage accidents once they have happened by drawing on innovations developed in collaboration with fire-fighters**
QRescue / Fireman Access / more than 5,000 fire-fighters trained over the past 10 years in 20 countries throughout the world / around 400 cars given per year for their training
- 3. reduce the number of accidents and their severity by investing massively in R&D**
safety score / safety coach / connected services / big data / artificial intelligence and cybersecurity systems

[find out more about the human first program](#)

Renault care service

We are always by your side to make your driving experience easier and save you time maintaining your Renault. We'll give you online estimates and appointments, service packages, maintenance contracts, insurance and assistance, the My Renault personalized program and more simple, easy solutions perfectly tailored to your needs.

[find out more about Renault care service](#)





Every precaution has been taken to ensure that this publication was accurate and up-to-date when printed. This document was created using pre-production and prototype models. In line with its policy of continuous product improvement, Renault reserves the right to modify the specifications, vehicles and accessories described and featured at any time. Any such modifications are communicated to Renault dealers as quickly as possible. Depending on the country of sale, versions may differ and certain equipment may be unavailable (as standard, optional or as an accessory). Please contact your nearest dealer for the latest information. For technical printing reasons, the colours featured in this document may differ slightly from those of the actual paintwork or interior trim. All rights reserved. Reproduction in any format and by any means of all or part of this publication is prohibited without prior written authorisation from Renault.

Publicis – photo credits: M. Chifflet, Renault Group - Direction Design – xxxxxxxxxxxx – november 2024.
Renault s.a.s., a société par actions simplifiée (French simplified joint-stock company) with a share capital of €533,941,113 and head office at 122-122 bis avenue du Général Leclerc 92100 Boulogne-Billancourt Cedex – Nanterre R.C.S. (Trade & Companies Register) B 780 129 987 / Tel.: 0806 00 20 20.

Renault recommends  **Castrol**



WARNING!
lien vers les réseaux sociaux à intégrer par le pays

configure and order →

WARNING!
lien vers le configurateur à intégrer par le pays

ATTENTION

La partie information technique sera disponible
uniquement par pdf téléchargeable via la e-brochure
[Adaptation & lien vers le PDF à charge du pays](#)



- 01. interior trims**
- 02. equipment**
- 03. engines**
- 04. equipment and options**

01. interior trims



evolution



techno



iconic

02. equipment

evolution

design

- 16-inch inspiration two-tone wheel covers
- full LED headlamps with LED DRL
- body colour COE & chrome COI
- fixed roof bars

comfort

- manual air conditioning
- grained coated textile steering wheel
- 4 electric windows (1 LVI + 3LVE)
- mid-high center console with armrest
- steering wheel (height & depth adj.)
- 6-way front driver seat + 4-way passenger
- foldable key chrome 3B

- sun visor with mirror
- glovebox and trunk light
- powered rear view mirror with flashing repeating light

infotainment

- 3.5" digital cluster
- 8" touch screen multimedia system
- wireless smartphone replication through Android Auto® and Apple CarPlay®
- 1x USB-A (data+power) on dashboard
- 1x USB-C (power) + 12V on console
- 4 speakers

safety

- 2 front airbags + 5 SBR
- cruise control & speed limiter
- anti lock braking system (ABS)
- electronic stability control (ESC)
- hill start assist
- dusk sensor (auto-lighting)

options

- rear parking sensors
- rear view camera
- 16-inch movement black alloy wheels

techno (evolution +)

design

- 16-inch movement black alloy wheels
- modular roof bars (silver)
- black roof (biton)
- shark antenna

comfort

- auto air conditioning
- rain sensor (auto-wiping)
- smart entry and start (keyless)
- flexible trunk floor (dual position)
- roof console

- rear central light
- driver & passenger sun visor with light
- dual tone horn
- seat pockets
- rear central headrest
- paddles-shifters (for gasoline engine with automatic gearbox)

infotainment

- 6 speakers
- 7" digital cluster

safety

- 2 side chest airbags
- low tire pressure indicator
- rear parking sensors
- rear view camera with dynamic guidelines

options

- LED front fog lamps

iconic (techno +)

design

- 16-inch movement diamond cut alloy wheels
- refined textile upholstery
- front & rear silver skid plate
- LED front fog lamps
- iconic lateral badging

comfort

- multi-sense
- ambient lighting on door panels
- electric parking brake

infotainment

- rear 12V + 1x USB-C

safety

- blind spot warning
- front parking sensor
- multiview camera

options

- curtain airbag

03. engines

	essence 1.0 TCe 100 ch	diesel 1.5 dCi 102 ch
type of fuel	gasoline	diesel
maximum power kW CEE (cv) at engine speed (rpm)	74 (100) @ 5,000	75 (102) @ 3,750
maximum torque N.m CEE (m.kg) at engine speed (rpm)	160 @ 2,000-3,750	220 @ 1,500-2,750
gearbox type	continous variable transmission	manual transmission 5 speeds
injection type	gasoline indirect injection	common rail
displacement (cm ³)	999	1,461
number of cylinders/valves	3/12	4/8
emission regulation	E06E	E06R
chassis and steering		
tire dimensions	evolution : 205/60 R16	
spare wheel into trunk	185/65 R15	
steering - turning circle between kerbs (m)	10.51	
front suspension	Mc Pherson with structura shock asborber, helicoidal spring, anti-roll bar linked to shock absorber, triangular suspension arm	
rear suspension	rigid axel with torsion bar, telescopic shock absorber, helicoidal spring	
performance		
maximum speed (km/h)	169	175
0-100 km/h (s)	12.5	12.2
recovery: 80 -120 km/h (s) in 4 th gear	11.2	10.6
consumption and emissions⁽¹⁾		
certification protocol	NEDC	
fuel tank capacity (L)	50	
CO ₂ emissions (g/km)	140	111
cycle fuel consumption - city (km/L)	7.8	4.8
cycle fuel consumption - highway (km/L)	5.3	3.9
volumes and weights		
minimum empty weight ⁽²⁾ in running order (MVODM)	1,167	1,230
maximum empty operating weight (MVODM)	1,179	1,252
authorized total rolling mass (MTR)	2,722	1,695
maximum authorized laden weight (MMAC)	1,622	1,695
maximum braked towable mass (kg)	620	N/A
trunk volume (L)	398	
boot volume with seat folded (L)	1,304	

(1) consumption and emissions certified in accordance with applicable regulations. (2) weights indicated on vehicle identification plate.

04. equipment and options

	evolution	techno	iconic
design			
full LED headlamps w/LED DRL	■	■	■
body colour COE & chrome COI	■	■	■
fixed roof bars	■	-	-
16-inch inspiration two-tone wheel covers	■	-	-
16-inch movement black alloy wheels	○	■	-
16-inch movement diamond cut alloy wheels	-	-	■
modular roof bars (silver)	-	■	■
black roof (biton)	-	■	■
shark antenna	-	■	■
refined textile upholstery	-	-	■
front & rear silver skid plate	-	-	■
LED front fog lamps	-	○	■
iconic lateral badging	-	-	■
comfort			
manual A/C	■	-	-
grained coated textile steering wheel	■	■	■
4 electric windows (1 LVI + 3 LVE)	■	■	■
mid-high center console with armrest	■	■	■
steering wheel height & depth adjustment	■	■	■
6-way front driver seat + 4-way passenger	■	■	■
foldable key chrome 3B	■	-	-
sun visor with mirror	■	■	■
glovebox and trunk light	■	■	■
paddles-shifters (for gasoline engine with automatic gearbox)	-	■	■
powered rear view mirror with flashing repeating light	■	■	■
auto air conditioning	-	■	■
rain sensor (auto-wiping)	-	■	■
smart entry and start (keyless)	-	■	■
flexible trunk floor (dual position)	-	■	■
roof console	-	■	■
rear central light	-	■	■
driver & passenger sun visor with light	-	■	■
dual tone horn	-	■	■
seat pockets	-	■	■
rear central headrest	-	■	■
multi-sense	-	-	■
ambient lighting on door panels	-	-	■
electric parking brake	-	-	■
infotainment			
3.5" digital cluster	■	-	-
8" touch screen multimedia system	■	■	■
wireless smartphone replication through Android Auto® and Apple CarPlay®	■	■	■
1x USB-A (data+power) on dashboard	■	■	■
1x USB-C (power) + 12V on console	■	■	■
4 speakers	■	-	-
6 speakers	-	■	■
7" digital cluster	-	■	■
rear 12V + 1x USB-C	-	-	■
safety			
2 front airbags + 5 SBR	■	■	■
cruise control & speed limiter	■	■	■
anti lock braking system (ABS)	■	■	■
electronic stability control (ESC)	■	■	■
hill start assist	■	■	■
dusk sensor (auto-lighting)	■	■	■
2 side chest airbag	-	■	■
low tire pressure indicator	-	■	■
rear view camera with dynamic guidelines	○	■	■
rear parking sensors	○	■	■
blind spot warning	-	-	■
front parking sensor	-	-	■
multiview camera	-	-	■
curtain airbag	-	-	○

■: standard. ○: optional. -: unavailable.

Android Auto™ is a trademark of Google Inc. Apple CarPlay™ is a trademark of Apple Inc.



Every precaution has been taken to ensure that the contents of these technical specifications were accurate and up-to-date at the time of release. This document was created using pre-production models and prototypes. In line with its policy of continuous product improvement, Renault reserves the right to modify the specifications, vehicles and accessories described and featured at any time. Any such modifications are communicated to Renault dealers as quickly as possible. Depending on the country of sale, versions may differ and some equipment may be unavailable (standard, optional or accessories). Please contact your nearest dealer for the latest information. For reasons to do with the medium, the colours featured in this document may differ slightly from those of the actual paintwork or interior trim. All rights reserved. Reproduction in any format and by any means of all or part of this brochure is prohibited without prior written authorisation from Renault.